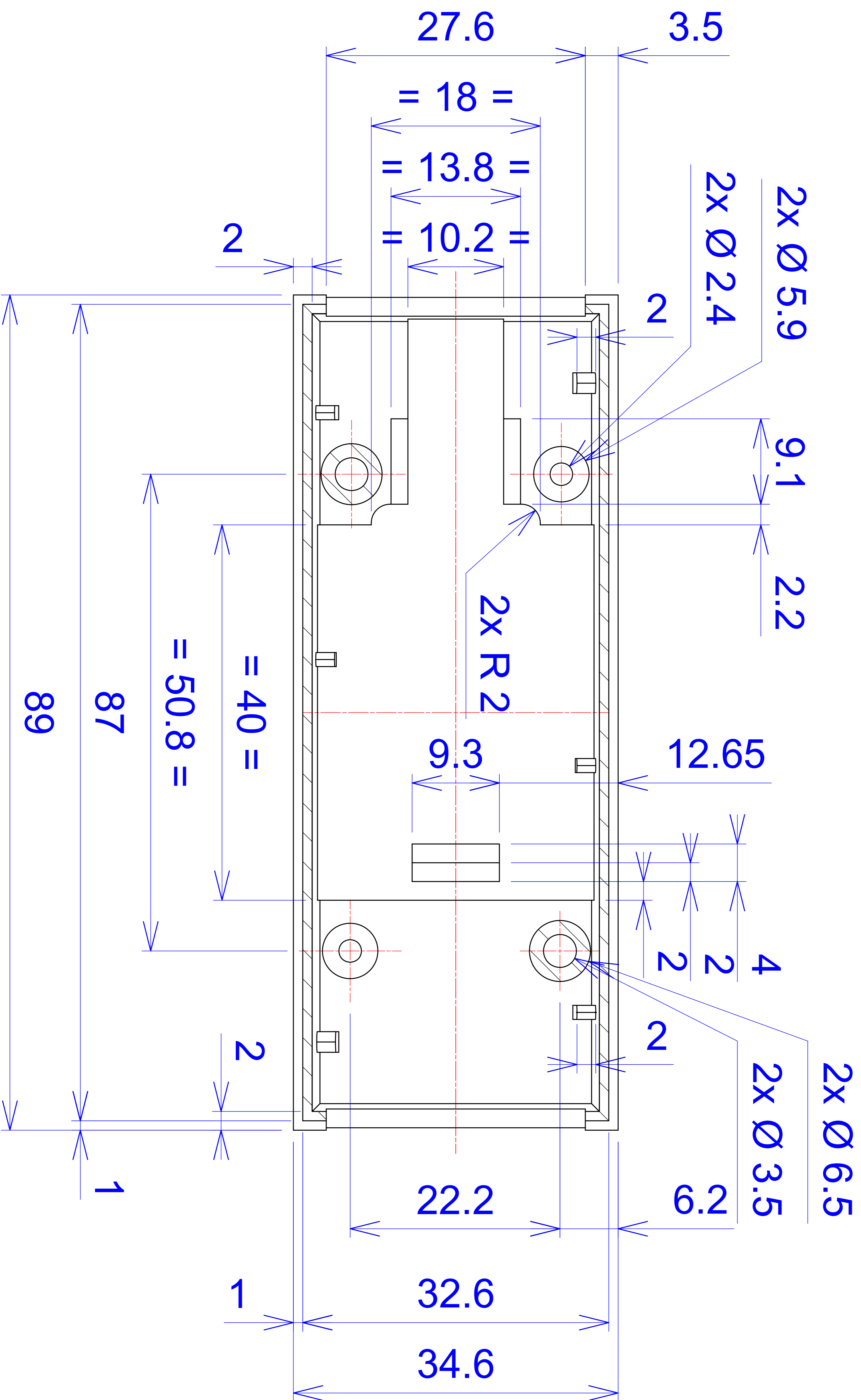




# D - D





E-E

C

