



»» Features

- Miniature 25A 250VAC Power Relay.
- UL/CUL, VDE approved.
- With and without quick connect terminals on top.
- Inductive load $\cos \phi = 0.7$, 20A 250VAC, inrush 80A 250VAC, 400ms suitable for compressor load switching and HVAC applications.
- Comply with RoHS-Directive 2011/65/EU.

»» Type List

Terminal style	Contact form	Designation
W (Quick terminal)	SPNO	852-W-1A-C1
P (PCB terminal)	SPNO	852-P-1A-C
WP (Quick terminal & PCB terminal)	SPNO	852-WP-1A-C

»» Ordering Information

852 - $\frac{W}{1}$ - $\frac{1A}{2}$ - $\frac{F}{3}$ - $\frac{C}{4}$ - $\frac{C}{5}$ $\frac{XXVDC}{6}$

- | | | | |
|--------|---------------------------------|----------|--|
| 1. 852 | -- Basic series designation | 4. Blank | -- Standard type |
| | | F | -- Class F |
| 2. W | -- With quick terminals | 5. C | -- Dust cover |
| P | -- With PCB terminals | C1 | -- Flanged cover |
| WP | -- With quick and PCB terminals | | |
| 3. 1A | -- Single pole normally open | 6. XXVDC | -- Coil voltage (please refer to the coil rating data for the availability). |

»» Contact Rating

Resistive load	25A 250VAC
Inductive load ($\cos \phi = 0.7$)	20A 250VAC (Inrush 80A)

»» Coil Rating (DC)

Rated voltage (V)	Rated current $\pm 10\%$ at 23°C (mA)	Coil resistance $\pm 10\%$ at 23°C (Ω)	Max. continuous voltage at 70°C	Pick up voltage (Max) at 23°C	Drop out voltage (Min) at 23°C	Power consumption at rated voltage
5	180	27.8	150 % of rated voltage	75 % of rated voltage	10 % of rated voltage	approx. 0.9W
6	150	40				
9	100	90				
12	75	160				
24	38	640				
48	19	2560				



852

»» Specification

Contact material	AgSnO alloy	
Contact resistance ⁽¹⁾	30mΩ Max.	
Operate time ⁽¹⁾	20ms Max.	
Release time ⁽¹⁾	10ms Max.	
Insulation resistance ⁽¹⁾	100MΩ Min. (DC 500V)	
Dielectric strength ⁽¹⁾	Between open contact : AC 1200V, 50/60Hz 1 min.	
	Between contact and coil : AC 3600V, 50/60Hz 1 min.	
Vibration resistance	Operating extremes	10~50Hz , amplitude 1.0 mm
	Damage limits	10~50Hz , amplitude 2.0 mm
Shock resistance	Operating extremes	10G
	Damage limits	100G
Life expectancy	Mechanical	10,000,000 operations (frequency 18,000 operations/hr)
	Electrical	100,000operations (frequency 1,200 operations/hr)
Operating ambient temperature	-25 ~ +70°C (no freezing)	
Weight	Approx. 31.5g	

Note . (1) initial value

»» Safety Approval

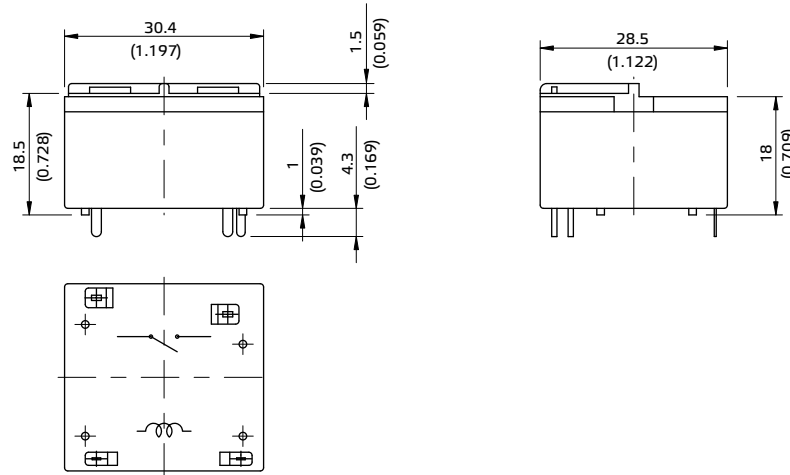
Certified	UL / CUL	VDE
File No.	E88991	40004735

»» Safety Approval Rating

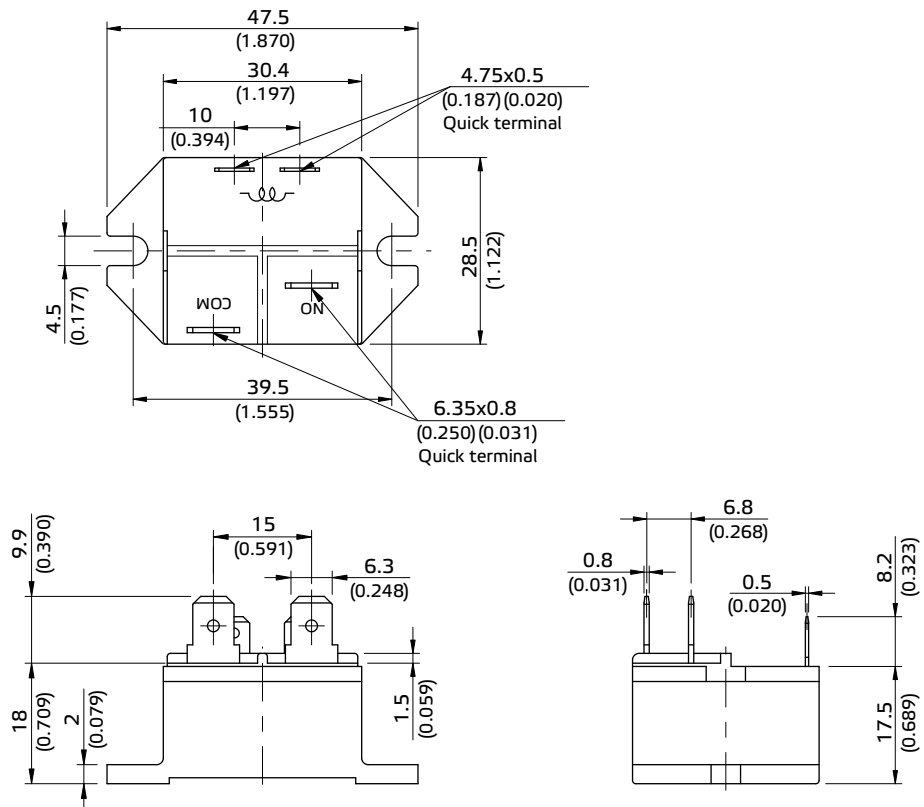
	VDE
25A 277VAC 1HP 125VAC 1.5HP 250VAC 30A 277VAC (NO)	25A 250VAC T105 20A 250VAC cosφ 0.7

»» Outline Dimensions

◆ 852-P



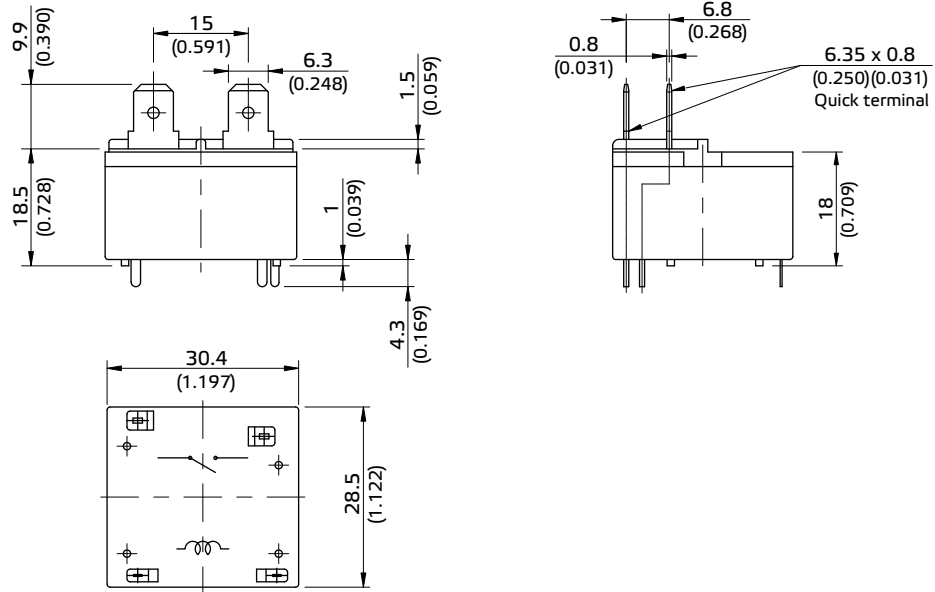
◆ 852-W





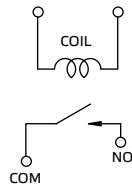
852

◆ 852-WP

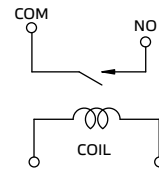


»» Wiring Diagram
BOTTOM VIEW

◆ 852-W

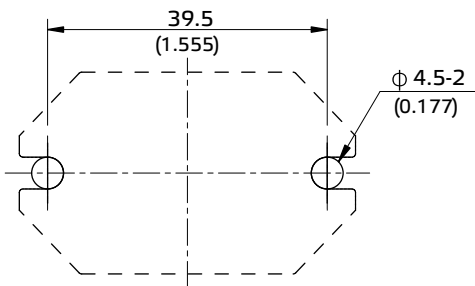


◆ 852-P/WP



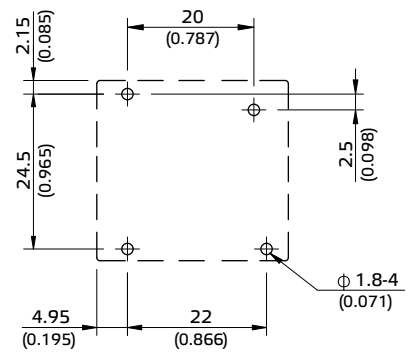
»» Mounting Holes
BOTTOM VIEW

◆ 852-W



»» PC Board Layout
BOTTOM VIEW

◆ 852-P/WP



»» Engineering Data

