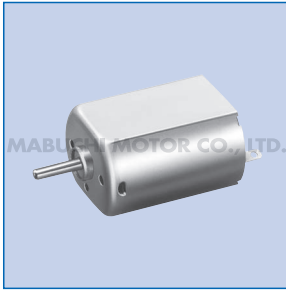


FK-130RH/SH

OUTPUT : 0.2W ~ 10W (APPROX)

カーボンブラシ | Carbon-brush motors | 碳精电刷



代表的用途 精密・事務機器：インクジェットプリンター／自動販売機／ATM

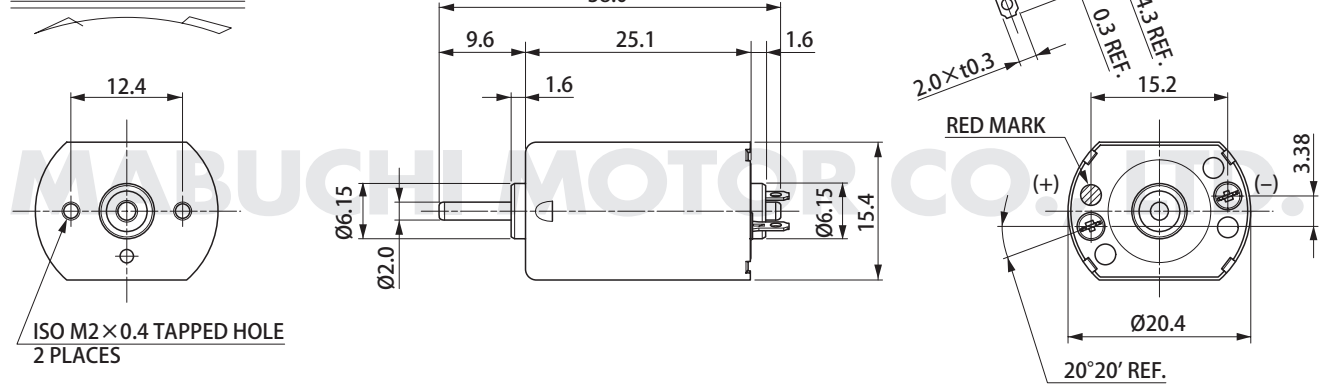
Typical Applications Precision and Office Equipment : Inkjet Printer / Vending Machine / ATM

主要用途 精密、办公设备：喷墨打印机、自动售货机、ATM

WEIGHT : 24g (APPROX)

MODEL	VOLTAGE		NO LOAD		AT MAXIMUM EFFICIENCY					STALL		
	OPERATING RANGE	NOMINAL	SPEED	CURRENT	SPEED	CURRENT	TORQUE		OUTPUT	TORQUE		CURRENT
			r/min	A	r/min	A	mN-m	g-cm	W	mN-m	g-cm	A
FK-130RH-15210	4.5~6.0	4.8V CONSTANT	8300	0.075	6540	0.28	0.89	9.0	0.61	4.17	43	1.03
FK-130SH-09450	6~24	12V CONSTANT	7200	0.030	5680	0.11	1.12	11.4	0.66	5.30	54	0.42

DIRECTION OF ROTATION

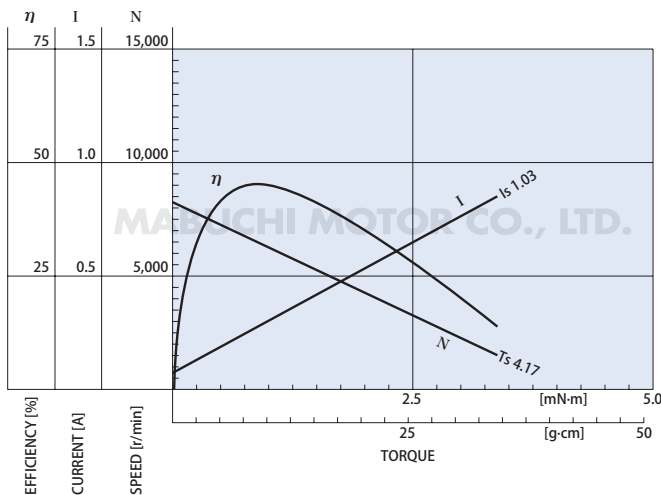


取付けネジの長さはモータケース面より2.0以下
Usable machine screw length 2.0 max. from motor mounting surface.
安装螺丝的长度须从马达壳面算起2.0以内

UNIT : MILLIMETERS

FK-130RH-15210

4.8V



FK-130SH-09450

12.0V

