



Product information GM 209 NJ schwarz/black

Industrial Connecting Solutions:Rectangular Connectors:Valve Connectors (Type A -B -C):Type B:Field Attachable Valve Connectors:Valve Connectors (Industrial standard):GM 209 NJ schwarz/black

<http://www.e-catalog.beldensolutions.com/link/57078-24228-256261-256266-256271-276218-24325-35194/en/conf/ui/state>

Name GM 209 NJ schwarz/black



cable socket with central screw M 3 x 35

Delivery informations

Availability available

Product description

Description cable socket with central screw M 3 x 35

Type GM 209 NJ schwarz/black

Order No. 932 977-100

Other standard types grey housing,
Order No. 932 977-106

Number of contacts 2 + PE

Cable gland PG 9

Conductor size max. 1.5 mm²

Standard industrial standard (11 mm)

Housing Color black

Construction type B

Technical data

Pin dimensions 6.3 mm x 0.8 mm

Rated voltage AC/DC 250 V

Rated current 16 A

Contact resistance <= 4 mOhm

Type of termination screw / cable shoe / cable eye

Suitable cables 4.5 mm to 7 mm diameter

Mounting central screw

Material

Contact surface material Sn

Contact bearer material PA

Housing material PA

Environmental conditions

Protection class (IEC 60529) IP 65

Pollution severity 3

Temperature range -40 °C to +125 °C

Inflammability class

Housing 94 V-1

Contact bearer 94 HB

Approvals

UR UR

VDE VDE

SEV SEV

CSA CSA (not for interrupt current)

Packing unit

Packaging unit 200 pieces

Scope of delivery and accessories

Accessories to order separately (NBR) flat gasket GM 207-3,
Order No. 731 423-002;
(EPDM) flat gasket GM 207-7,



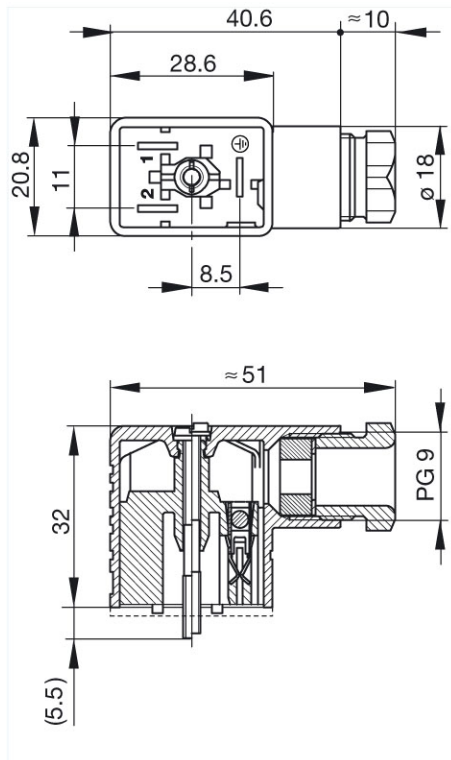
HIRSCHMANN

A BELDEN BRAND

Industrial Connecting Solutions:Rectangular Connectors:Valve Connectors (Type A -B -C):Type B:Field Attachable Valve Connectors:Valve Connectors (Industrial standard):GM 209 NJ schwarz/black
<http://www.e-catalog.beldensolutions.com/link/57078-24228-256261-256266-256271-276218-24325-35194/en/conf/ui/state>

Order No. 731 755-004;
knurled screw GDM 3011-8,
Order No. 732 574-001;
stainless steel screw GDM 3011 RF-1,
Order No. 734 363-001

Picture
Drawing



Belden Deutschland GmbH
Im Gewerbepark 2
58579 Schalksmühle
Germany
Phone: +49 7127/14-1806
E-Mail: icos-sales@belden.com

The information published in the websites has been compiled as carefully as possible. It is subject to alteration without notice in technical as well as in price-related/commercial respect. The complete information and data were available on user documentation. Mandatory information can only be obtained by a concrete query.