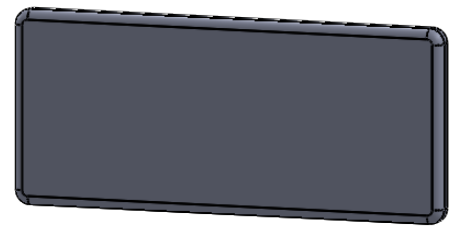
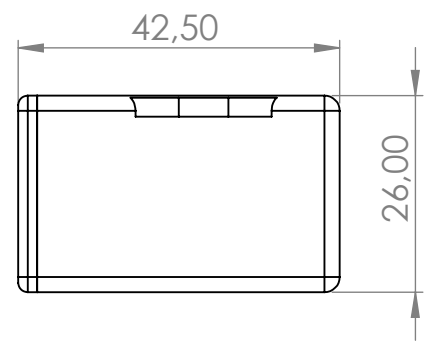


6 5 4 3 2 1

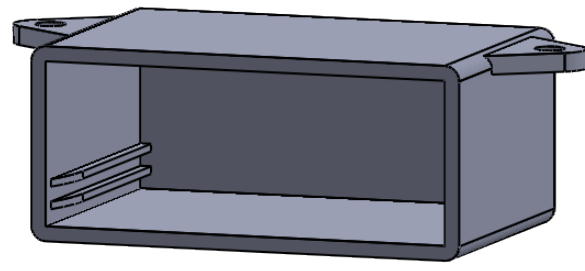
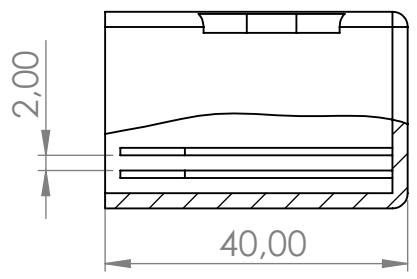
D

D



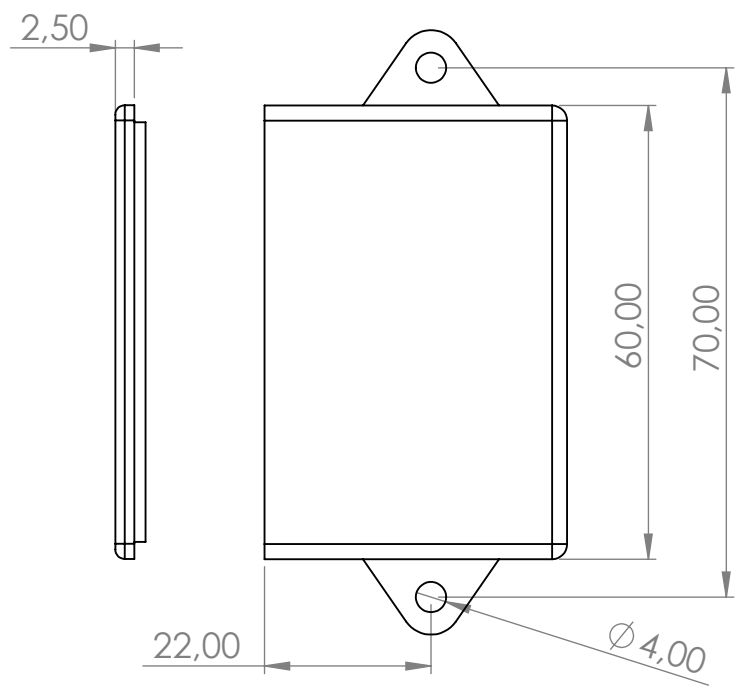
C

C



B

B



A

A

6 5 4 3 2 1

TITLE:		Plastic Box	
DWG NO.:		Box79	
SCALE:1:1		SHEET 1 OF 1	
		A4	