

CI61 Series 7.5-5.0mm(.295-.197") Wire to Board Connector

- ⦿ Mate with CI61 header
- ⦿ Can be used CI61 crimp clip terminal
- ⦿ Terminal accommodated AWG #18 ~ #22

Construction

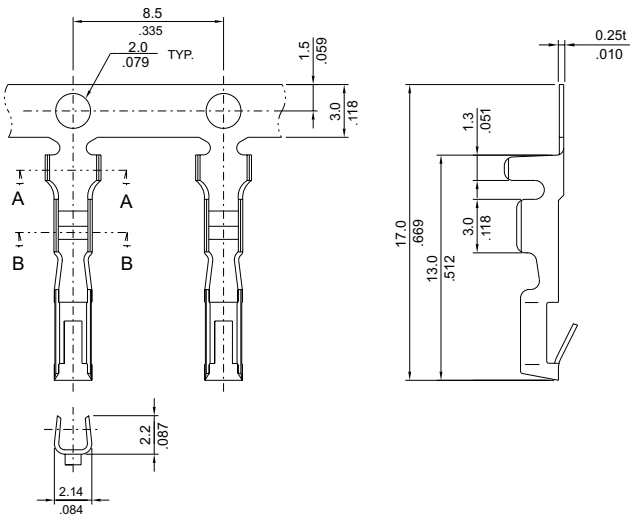
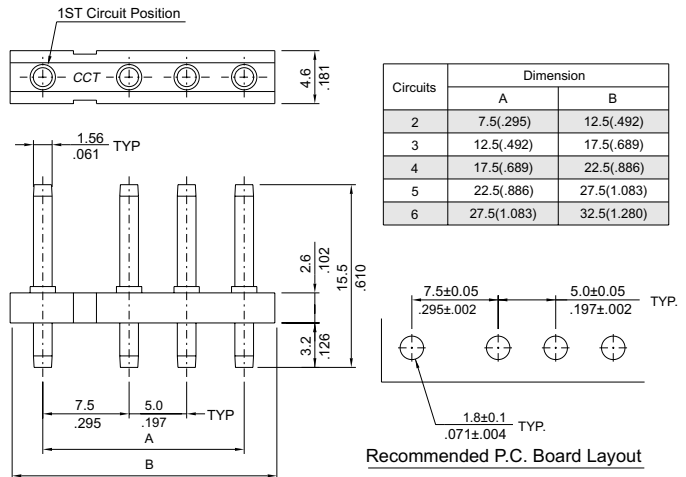
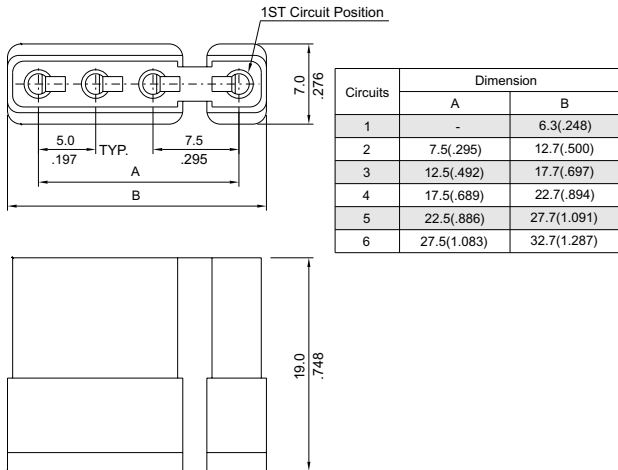
- ⦿ Insulator: Nylon 66 UL 94V-0, Color Nature
- ⦿ With Tin-lead plated 1.56mm round pin
- ⦿ Terminal: Tin-lead plated Brass



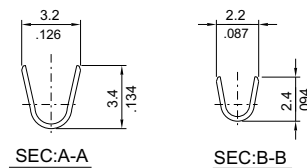
:E159616



:E159616



Part No.	Wire Range	Insulation Diamet	Reel Q'ty
CI61T031BE0	AWG #18~#22	2.48 (.098) MAX.	6,000 PCS



Ordering Code

CI61 06 S 0000

- ① Series No.
- ② No. of Circuits: 01 to 06
- ③ S= Connector housing
- ④ Other options:
0000= Standard
*Special option Consult manufacturer

CI61 06 P 1 V 00

- ① Series No.
- ② No. of Circuits: 02 to 06
- ③ P = Pin header
- ④ Plating code: 1 = Tin-lead over Nickel
- ⑤ Type: V = Straight
- ⑥ Other options: 00= Standard
*Special option Consult manufacturer