

RS-540RH/SH

MABUCHI MOTOR
Carbon-brush motors

OUTPUT : 5.0W~90W (APPROX)

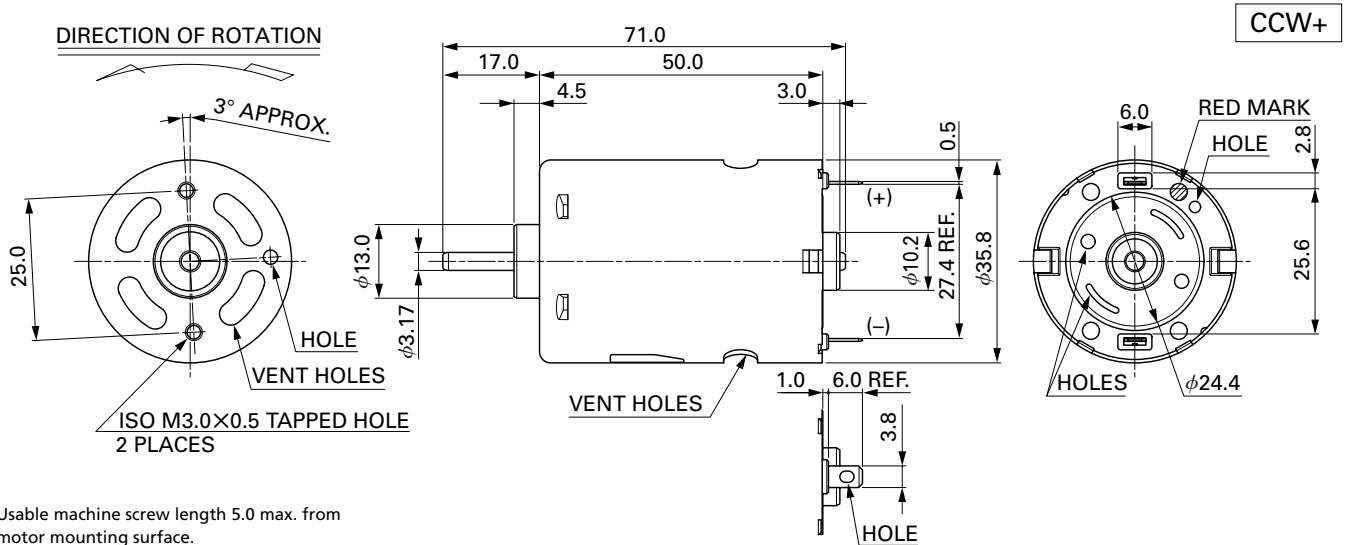
WEIGHT : 160g (APPROX)

Typical Applications Home Appliances : Vacuum Cleaner
Cordless Power Tools : Drill / Screwdriver / Cordless Garden Tool / Air Compressor
Toys and Models : Radio Control Model

MODEL	VOLTAGE		NO LOAD		AT MAXIMUM EFFICIENCY				STALL			
	OPERATING RANGE	NOMINAL	SPEED r/min	CURRENT A	SPEED r/min	CURRENT A	TORQUE mN-m	TORQUE g-cm	OUTPUT W	TORQUE mN-m	TORQUE g-cm	CURRENT A
RS-540RH-6530 (*)	3.6~6.0	6V CONSTANT	19200	1.30	15980	6.45	15.1	154	25.3	90.3	920	32.0
RS-540RH-7522 (*)	3.6~4.8	4.8V CONSTANT	20200	1.90	16510	8.50	14.3	146	24.8	78.5	800	38.0
RS-540SH-7520 (*)	4.8~7.2	7.2V CONSTANT	23400	2.40	19740	13.0	30.6	312	63.2	196	1998	70.0
RS-540SH-6527 (*)	4.8~9.6	9.6V CONSTANT	23400	1.60	20040	9.55	31.0	316	64.9	216	2202	57.0

(*) CCW shifted commutation (CCW+)

The terminal position against the tapped holes varies depending on CW+/NEUTRAL. (Refer to P19)



Usable machine screw length 5.0 max. from motor mounting surface.

UNIT: MILLIMETERS

RS-540RH-6530

6.0V

RS-540SH-7520

7.2V

