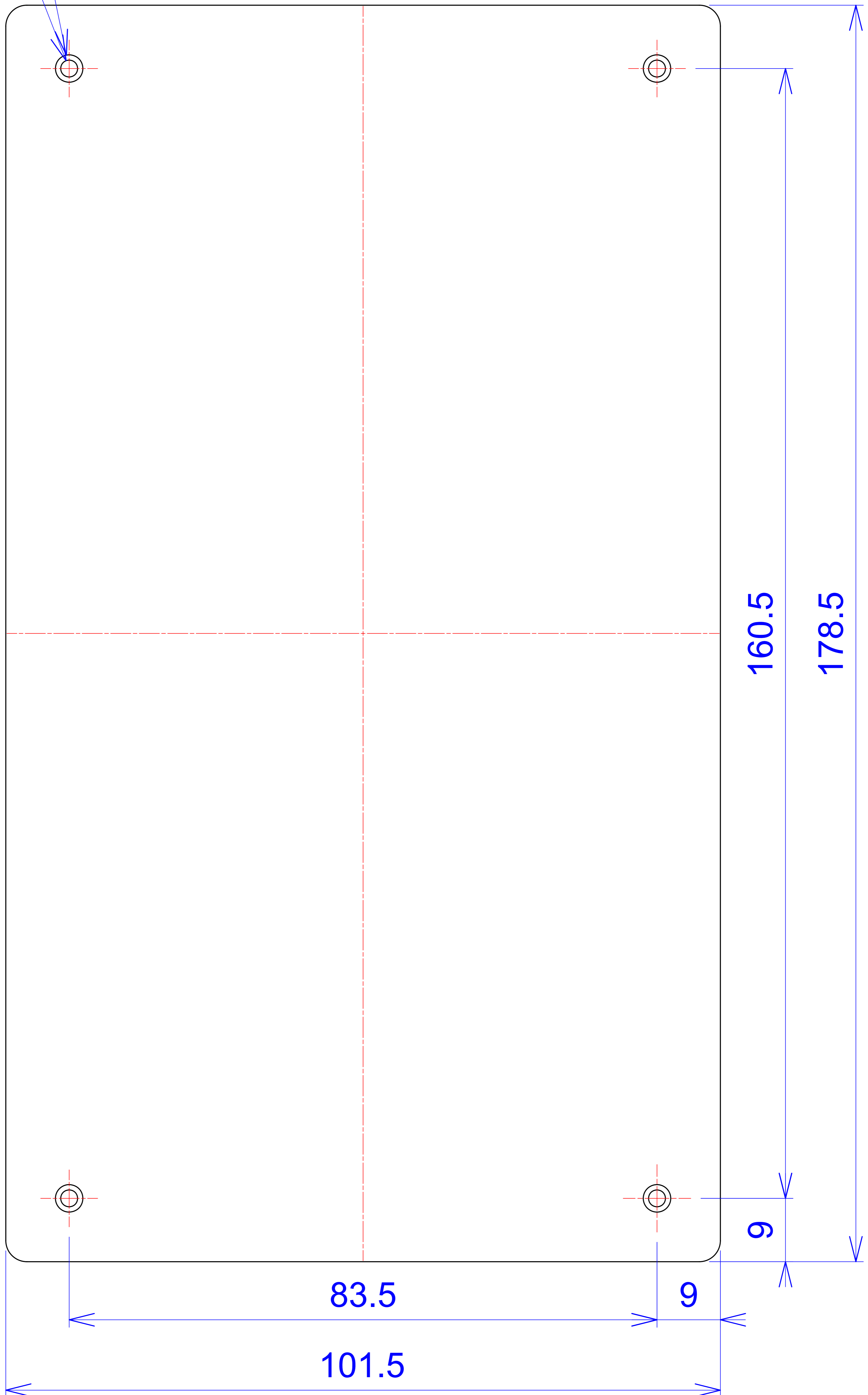


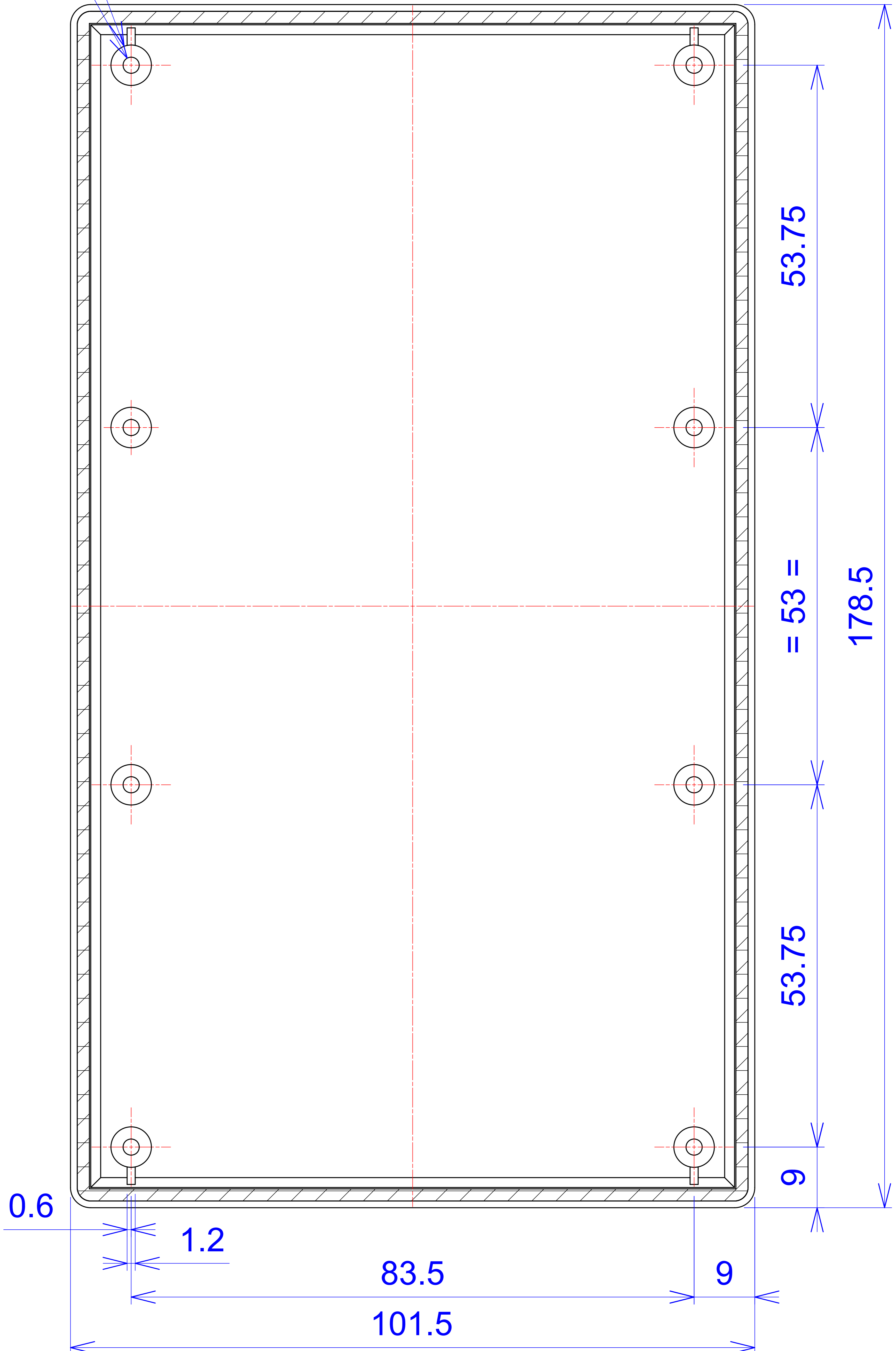
4x Ø 3.9

4x Ø 2.4



8x Ø 6
8x Ø 2.4

C - C



4x Ø 8.4

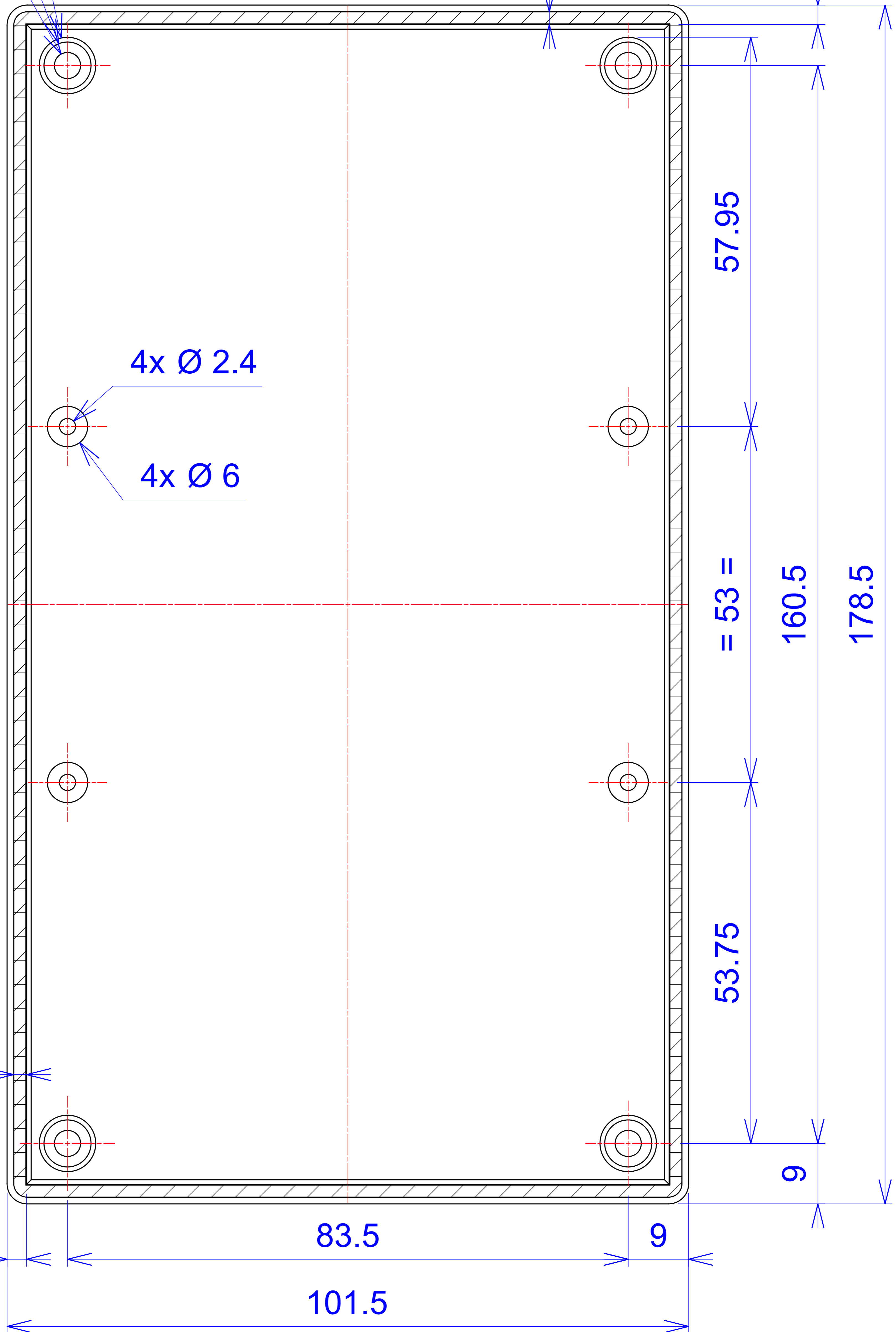
4x Ø 7

4x Ø 3.9

D - D

1.9

2.9



4x Ø 2.4

4x Ø 6

57.95

= 53 =

160.5

178.5

1.9

2.9

83.5

101.5

9

53.75

9